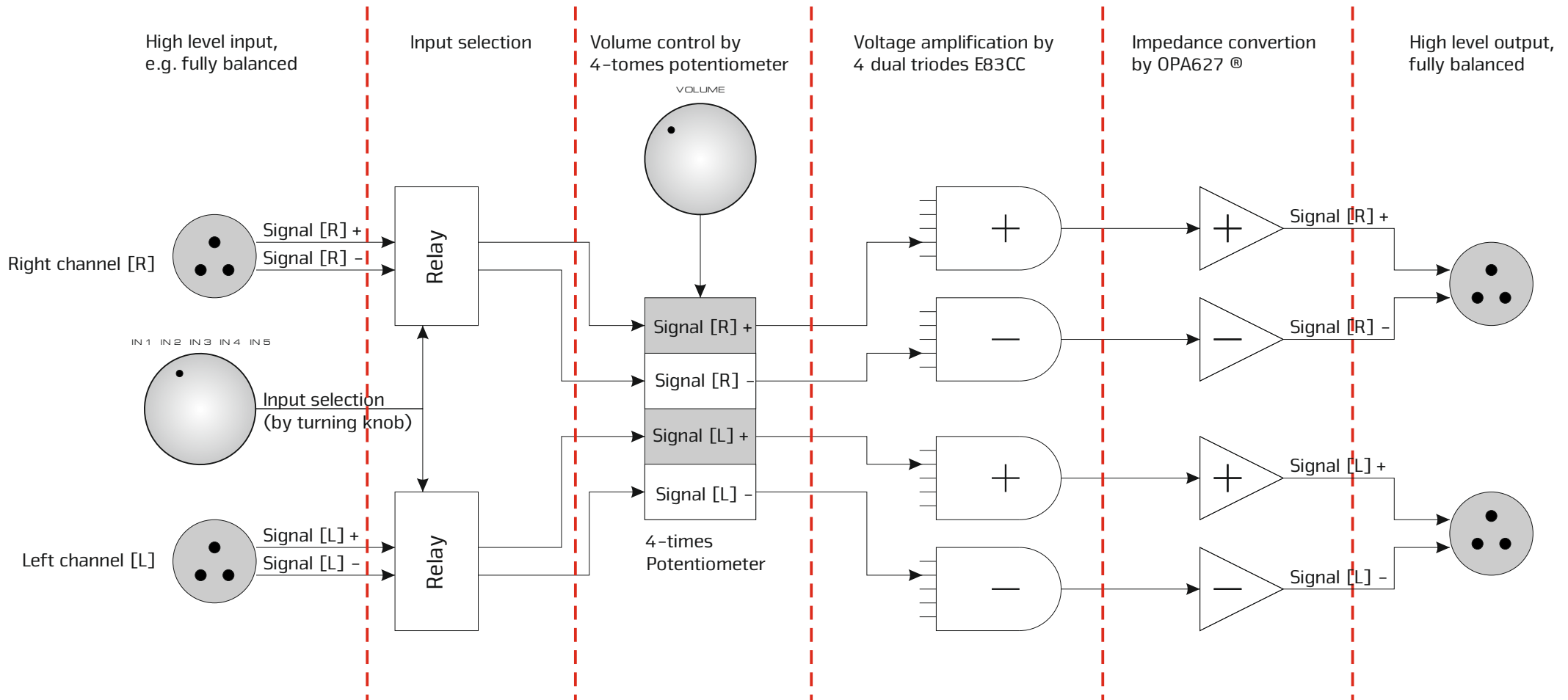
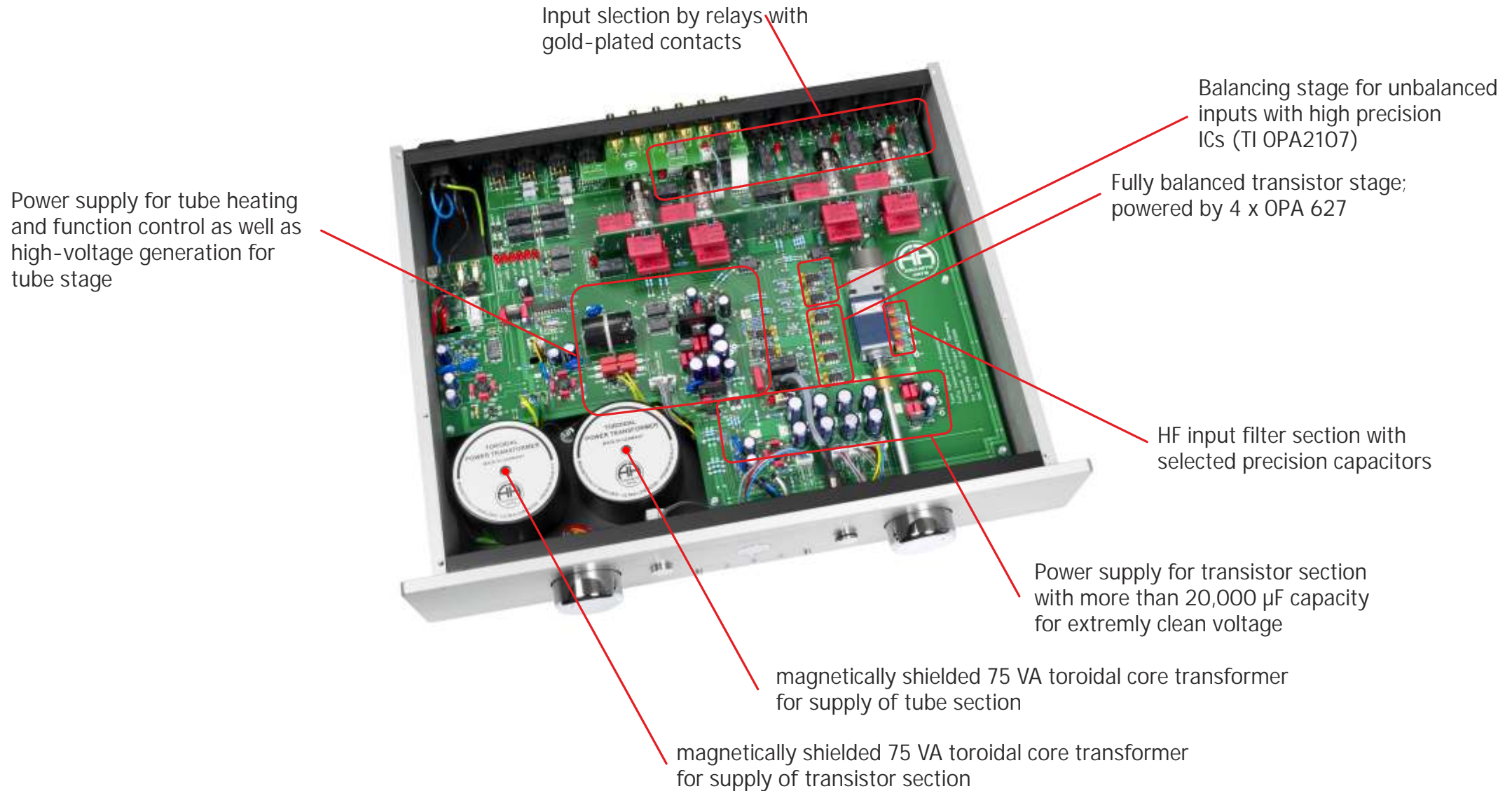


TUBE-PREAMP II

Fully balanced signal amplification from input to output

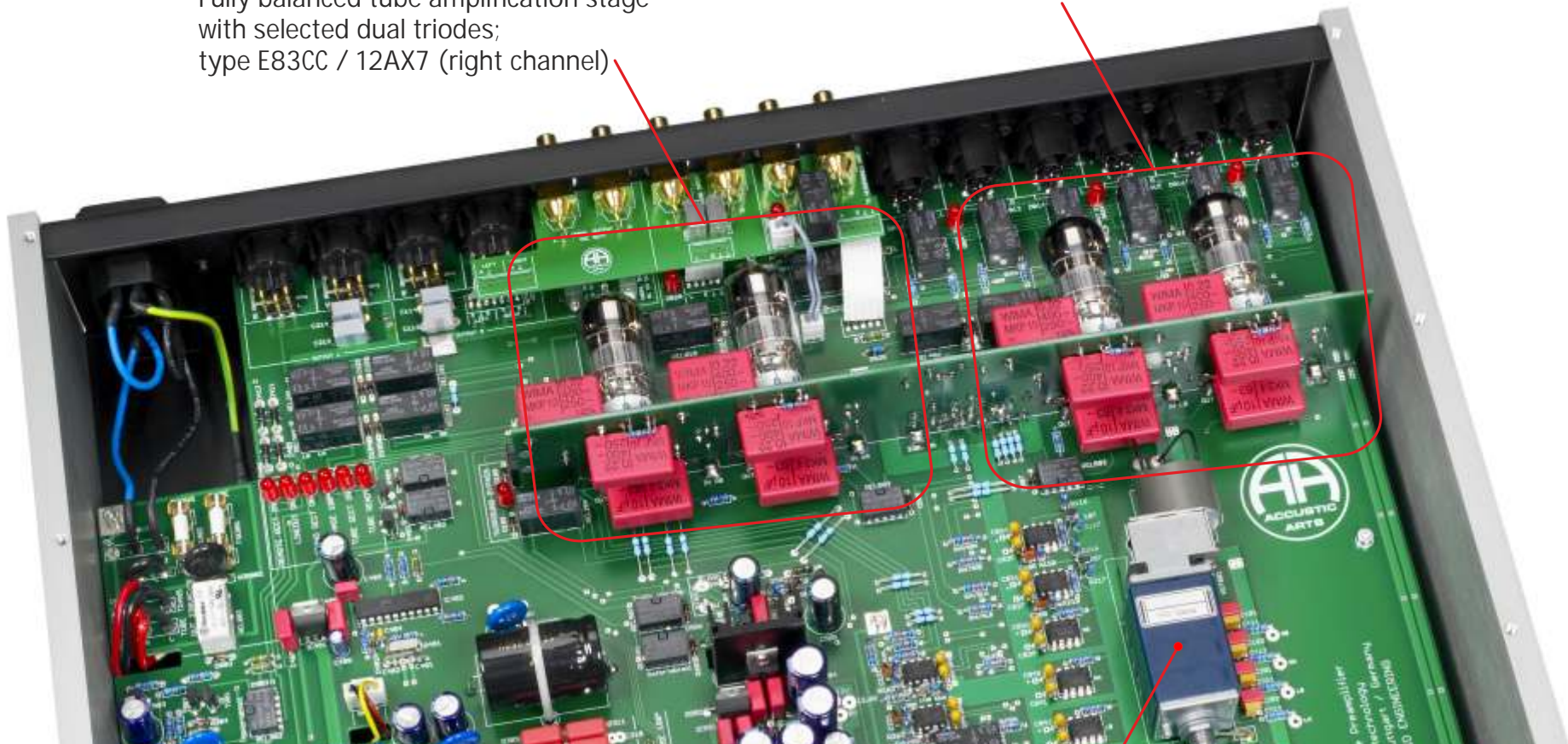






Fully balanced tube amplification stage with selected dual triodes; type E83CC / 12AX7 (right channel)

Fully balanced tube amplification stage with selected dual triodes; type E83CC / 12AX7 (left channel)



selected 4-ch potentiometer



Massive aluminium top cover, brushed and anodised (silver or black); with integrated damping

Headphone output (6.3 mm), covered by a removable plug made of chromed brass



Turning knobs, push buttons, retaining pins and logo made of massive, high gloss finished and chromed brass

Phase reversal of the music signal

Massive, 10 mm thick aluminium front panel, brushed and anodised (silver or black)



FIXED OUT: Uncontrolled output for connection of an external headphone amplifier

2 balanced and 2 unbalanced outputs for connection to a power amp; free choice between AC coupled or DC coupled outputs